

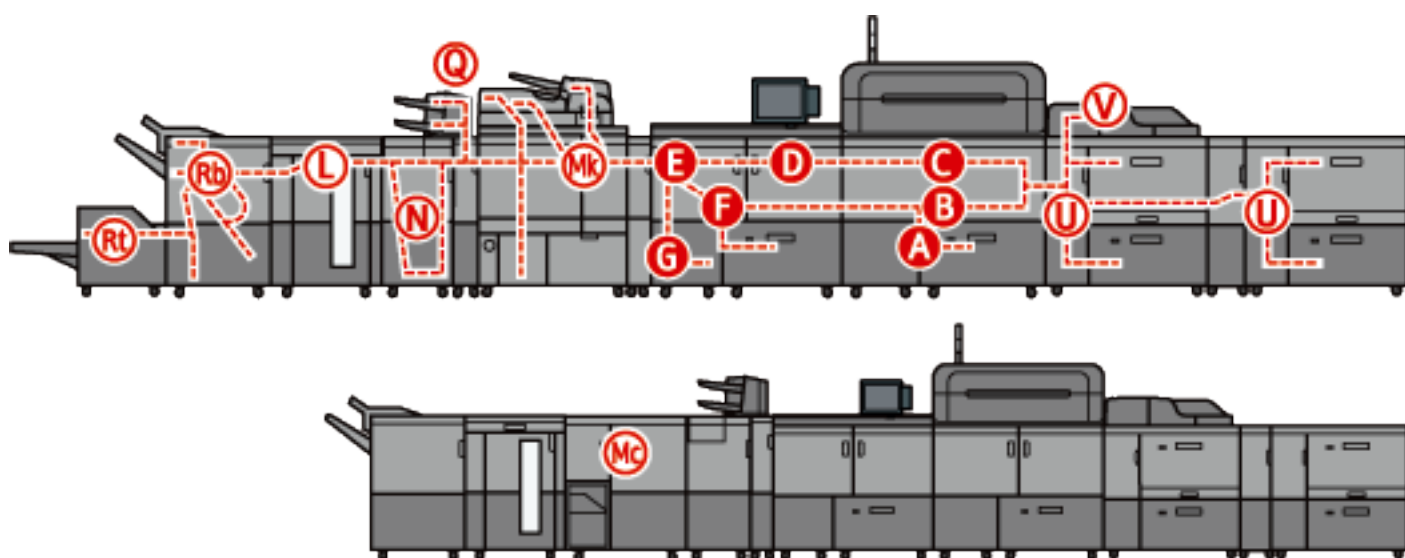
# CIP Training

Pro C9200 Series

**RICOH**  
imagine. change.

6

## Misfeed



DWQ905



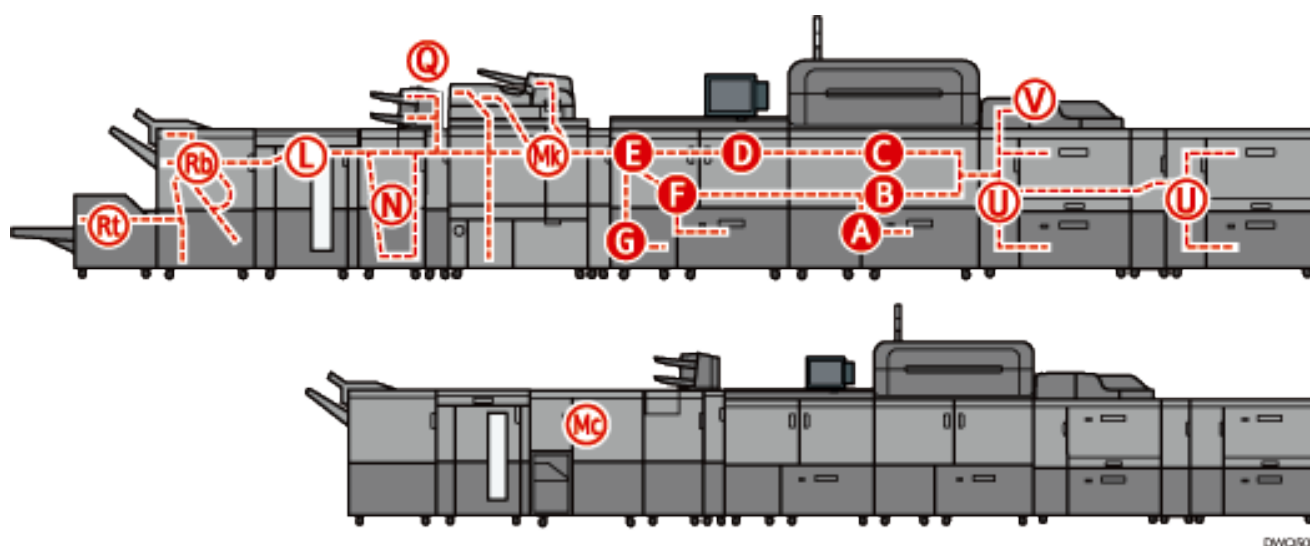
## Misfeed

How do I clear a misfeed?

### Locating Jammed Paper

If a misfeed occurs, remove the jammed paper by following the procedures indicated in the animation that appears on the screen and the sticker or sheet inside the front cover.

A misfeed has occurred in the place corresponding to the letter displayed on the control panel.



### Procedure for removing jammed paper

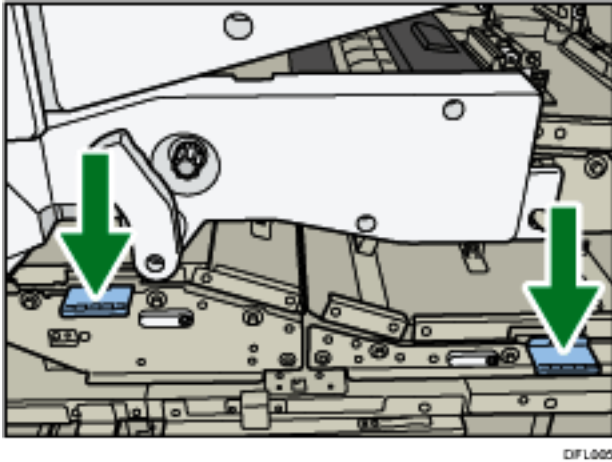
1. Remove the jammed paper by following the procedures that are displayed on the control panel.
2. When [Previous] or [Next] is displayed, press [Next] after completing a procedure.  
When the jammed paper is removed, restore the device to the original state.

#### ↓ Note

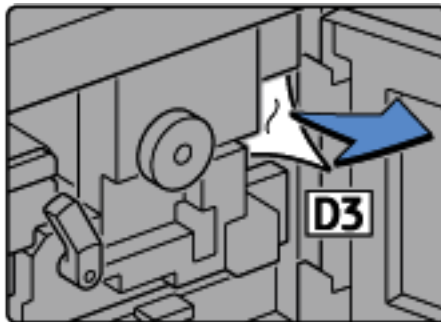
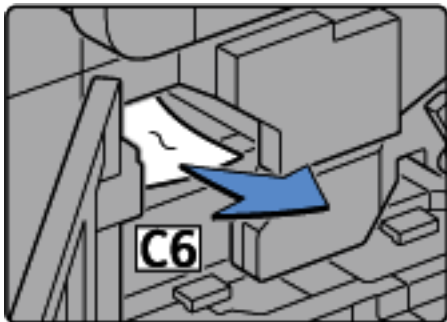
- When you pull out and push back the right paper tray, make sure that B2 and B3 guide plates are closed. If you pull out and push back the right drawer unit while B2 and B3 guide plates are open, the right paper tray may hit the guide plates, which could result in damage to the device.

# CIP Training C9200 Series

## Misfeed



- Do not leave the right drawer unit pulled out for a long time when removing paper from B or C. Some parts may be deformed and require replacement if you leave the unit pulled out for more than 10 hours.
- When you remove jammed paper from C6 and D3, the toner that was not fixed to the paper may attach to the carrier belt and the area around it. If the toner is attached, dampen the cleaning cloth that comes with the device or similar cloth and wipe the toner off, and then wipe the area again with a dry cloth.



DC301

- If a paper jam occurs when using banner paper of 700.1 mm - 1260 mm (27.56 - 49.61 inches) in length, open all guide plates along the feeding path in which the paper jam occurred and remove the jammed paper.

## Misfeed

### Removing Jammed Paper

Check the following codes on how to remove jammed paper when the procedure is not displayed on the screen.

- (Note: Screenshots are provided for reference purpose only. Your display may vary depending on your operating system and device.)
- Misfeed: When A1 is displayed
- Misfeed: When C2 is displayed
- Misfeed: When D is displayed
- Misfeed: When G1 is displayed
- Misfeed: When L is displayed
- Misfeed: When Mc1 - Mc4 is displayed
- Misfeed: When Mc5 or Mc6 is displayed
- Misfeed: When Mc7 or Mc8 is displayed
- Misfeed: When Mk1 or Mk2 is displayed
- Misfeed: When Mk3 - Mk5 is displayed
- Misfeed: When Mk6 is displayed
- Misfeed: When Mk7 or Mk8 is displayed
- Misfeed: When Mk9 - Mk11 is displayed
- Misfeed: When Mk12 - Mk14 is displayed
- Misfeed: When N1 - N5 is displayed
- Misfeed: When N6 - N22 is displayed
- Misfeed: When Q1 - Q2 is displayed
- Misfeed: When Q3 -Q4 is displayed
- Misfeed: When Rb1 - Rb5 is displayed
- Misfeed: When Rb6 - Rb9 is displayed
- Misfeed: When Rb12 - Rb13 is displayed
- Misfeed: When Rb10 - Rb17 is displayed
- Misfeed: When Rt1 or Rt2 is displayed
- Misfeed: When U is displayed
- Misfeed: When V is displayed

## Misfeed

### CAUTION

- The inside of the device could be very hot. Do not touch the parts with a label indicating the "hot surface." Otherwise, an injury might occur.
- Some of this device's internal components get very hot. For this reason, take care when removing misfed paper. Not doing so could result in burns.
- Keep your hands clear of the booklet finisher tray when removing misfed paper, pulling out or pushing in the finisher's staple unit. You can trap and injure your fingers if you do not.
- When removing jammed paper, make sure not to trap or injure your fingers.
- Keep your hands clear of the inside of the ring binder and the space under the ring binder tray. You can trap your fingers if you do not.

### Important

- When removing paper misfeeds, do not turn off the power. If you do, the configured functions and values will be lost.
- To prevent paper misfeeds, do not leave any torn scraps of paper inside the device.
- If paper jams continue to occur, check the followings.
- Make sure there is nothing placed on the output tray.
- Make sure that the staple cartridge is set properly.
- Confirm the size and type of the paper you are using. For details, click the following link: [Paper size and type recommendations](#)
- Confirm how to load paper in the following link: [How to load paper](#)
- Place the cut paper on a flat surface to prevent it from curling, and do not lean it against the wall.
- If misfeeds still occur frequently or the problem cannot be eliminated, contact your service representative.
- When removing jammed paper, you can touch only those areas explicitly indicated in the manual.
- Do not remove the fusing unit. Doing so will result in loss of print quality.
- To remove paper that has not been fed into the fixing section correctly, remove the jammed paper through the underside of the fusing unit. If the jammed paper cannot be removed through the underside of the fusing unit, remove it from the top.

### Note

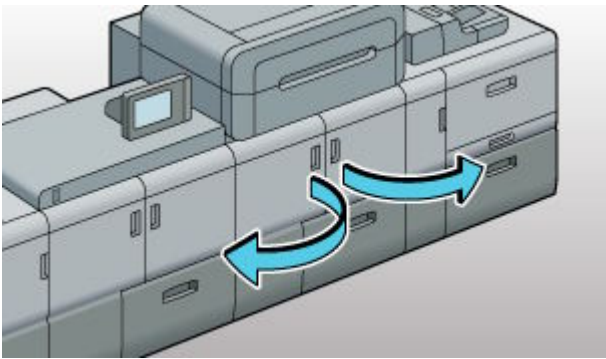
- Inside the finisher, or inside the front cover, there are stickers or sheets explaining how to remove misfed paper.
- If a detailed removal instruction appears on the right of the screen, follow it.
- You can also use the procedure indicated in the [Check Status] screen to remove jammed paper.

## Misfeed A1

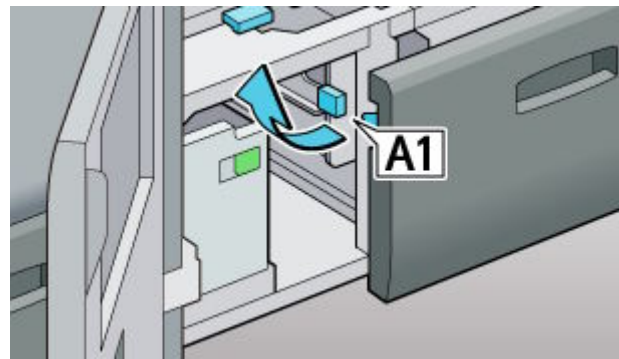
### Misfeed: When A1 is displayed

How do I clear a misfeed when A1 is displayed?  
Follow the procedure below to remove the jammed paper.

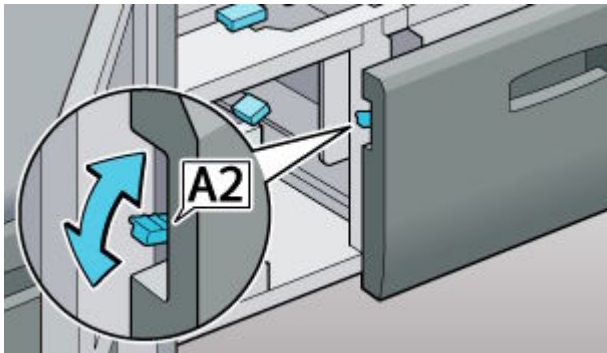
1. Open the right mainframe front cover.



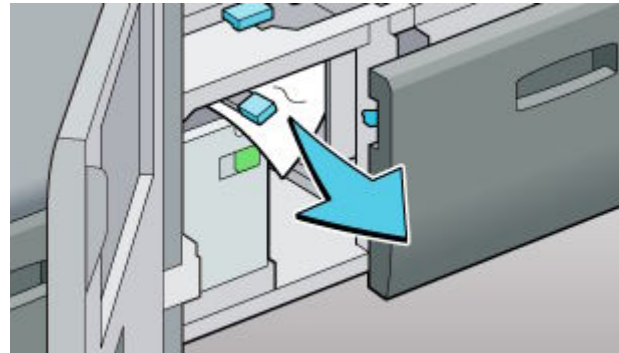
2. Raise the lever A1.



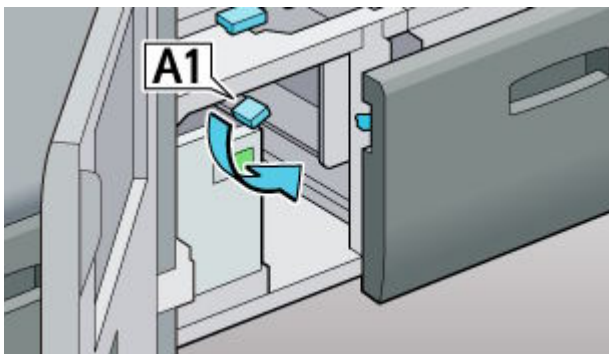
3. Move the lever A2 to up and down.



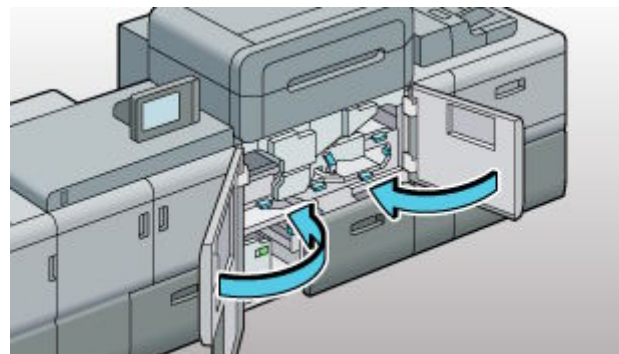
4. Remove the misfed paper.



5. Lower the lever A1 to its original position.



6. Close the right mainframe front cover.



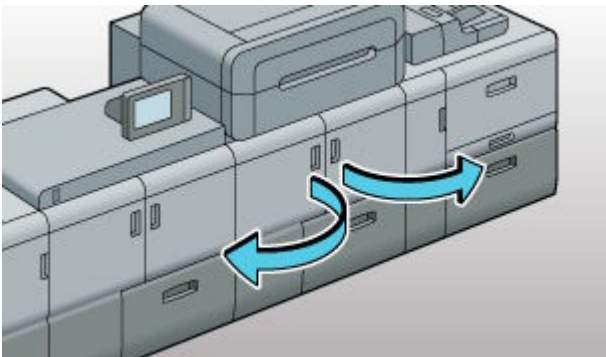
## Misfeed C2

### Misfeed: When C2 is displayed

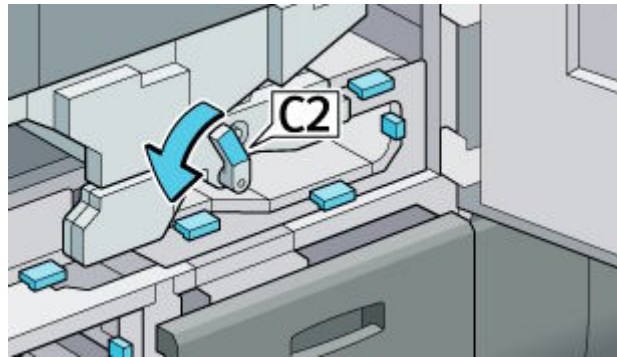
How do I clear a misfeed when C2 is displayed?

Follow the procedure below to remove the jammed paper.

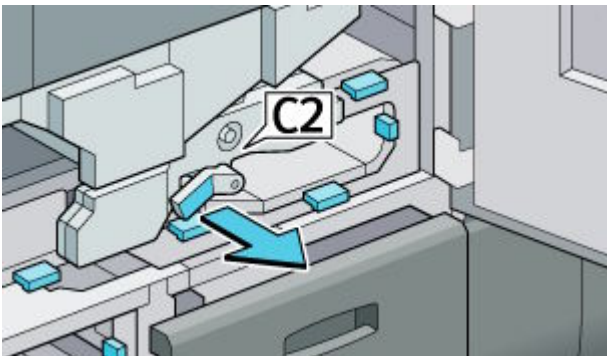
1. Open the right mainframe front cover.



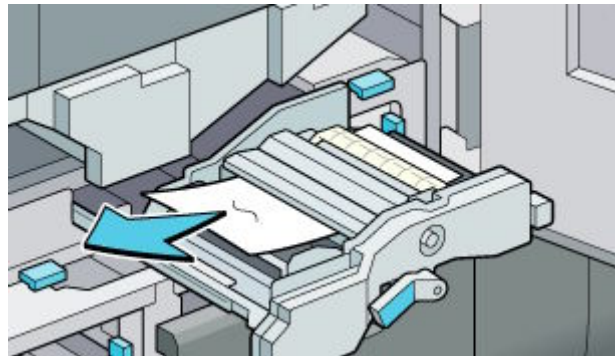
2. Lower the lever C2 to the left.



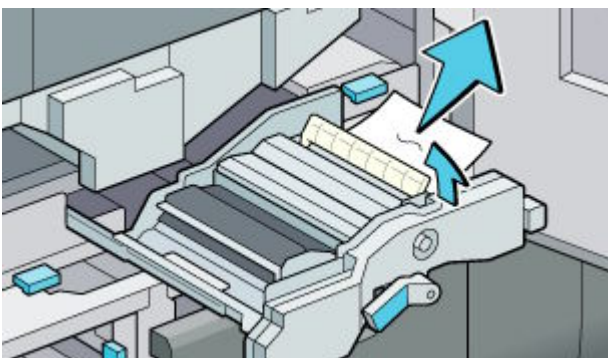
3. Pull out the unit.



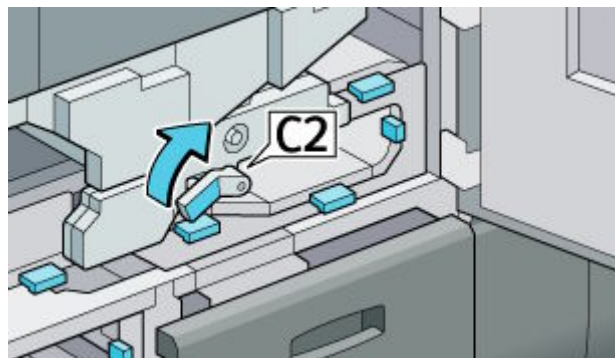
4. Remove the misfed paper.



5. Remove the misfed paper.



6. Raise the lever C2 to its original position.



7. Close the right mainframe front cover.



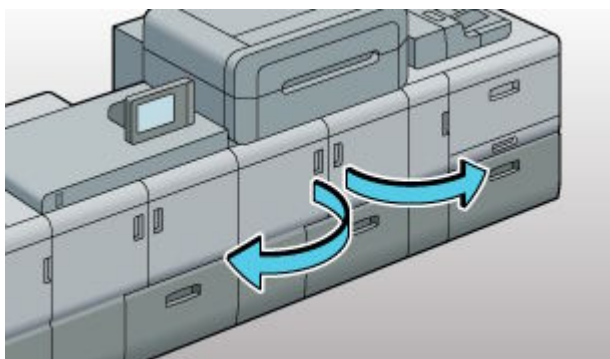
## Misfeed D

### Misfeed: When D is displayed

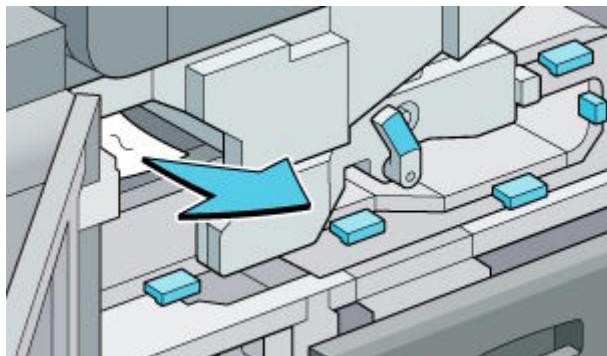
How do I clear a misfeed when D is displayed?

Follow the procedure below to remove the jammed paper.

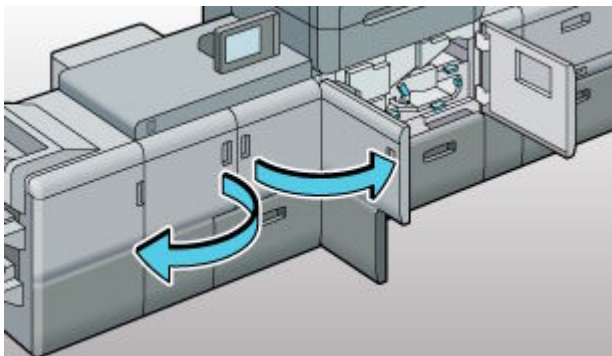
1. Open the right mainframe front cover.



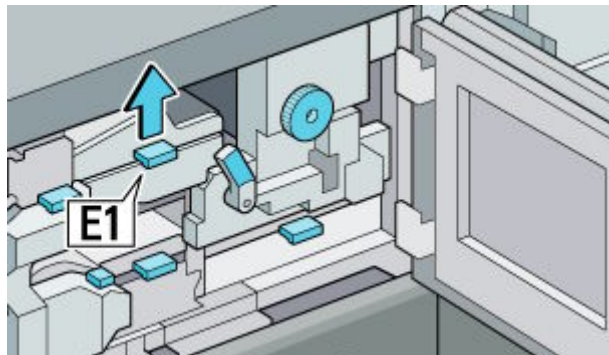
2. Remove the misfed paper from C3.



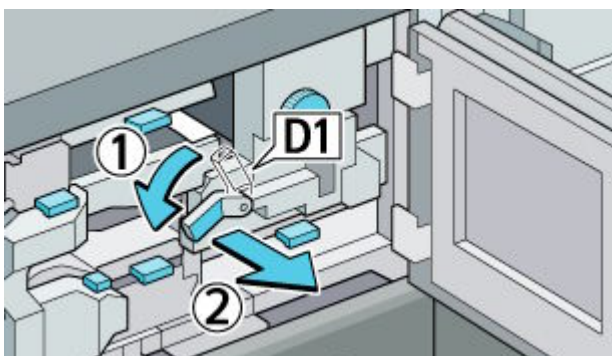
3. Open the left mainframe front cover.



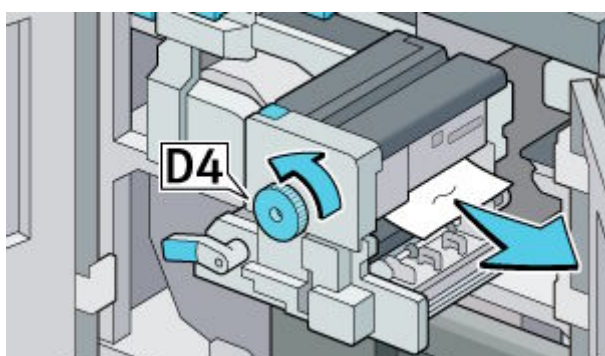
4. Raise the lever E1.



5. Lower the lever D1, and then pull out the unit.

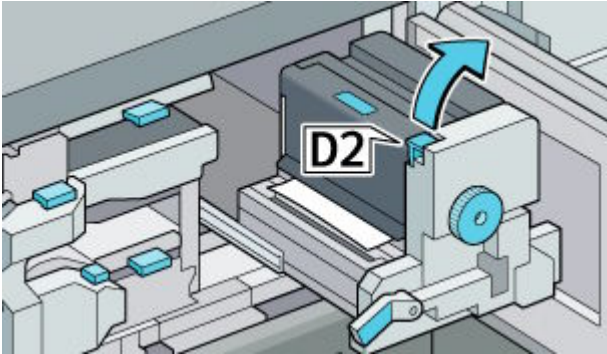


6. Turn the knob D4 to counterclockwise, and then remove the misfed paper from unit right side.

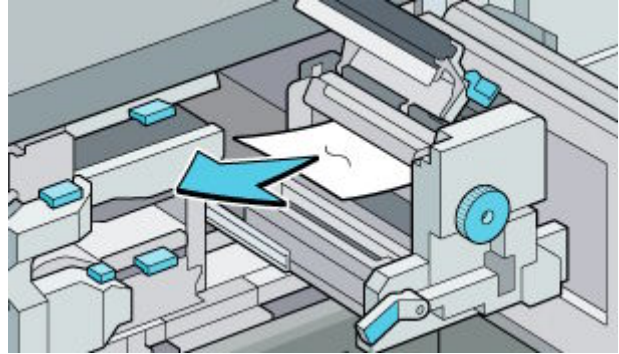


## Misfeed D

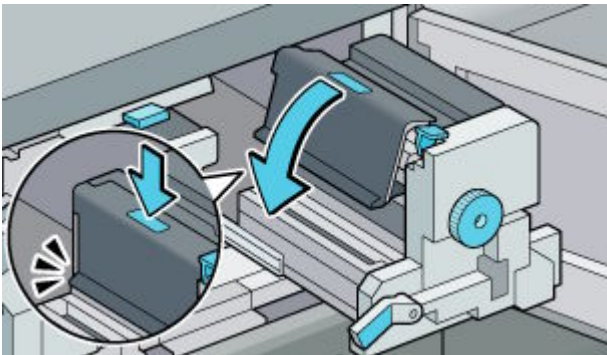
7. If you cannot remove the misfed paper, open the cover D2.



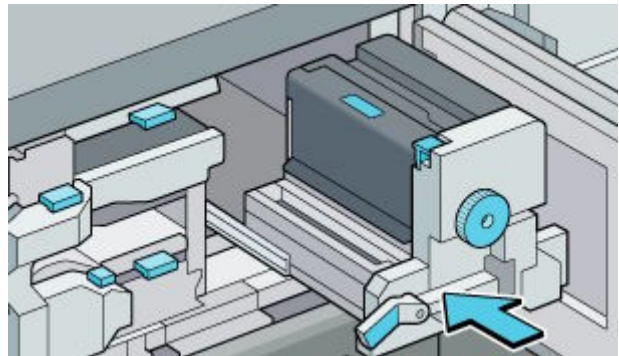
8. Remove the misfed paper.



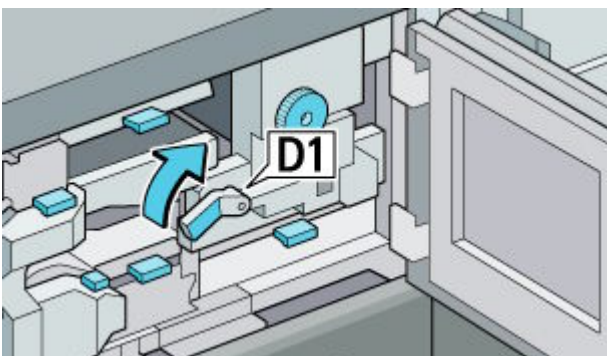
9. Close the cover D2 until it clicks.



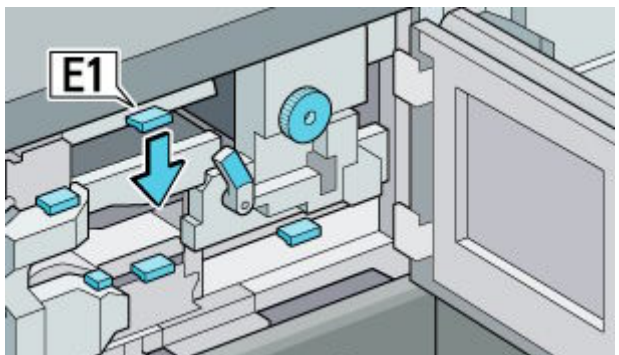
10. Slide the unit in to the device.



11. Raise the lever D1 to its original position.



12. Lower the lever E1 to its original position.



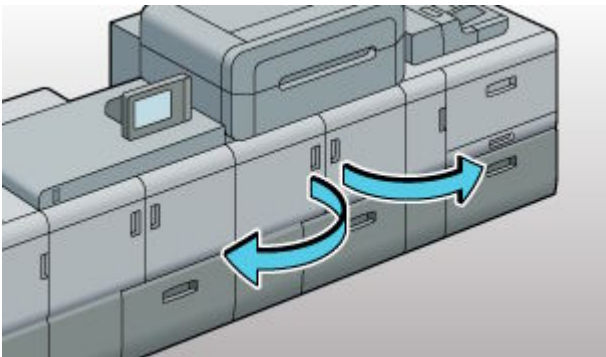
13. Close the right mainframe front cover.

## Misfeed G1

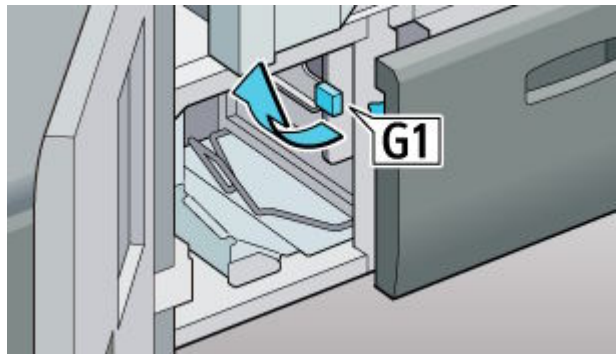
### Misfeed: When G1 is displayed

How do I clear a misfeed when G1 is displayed?  
Follow the procedure below to remove the jammed paper.

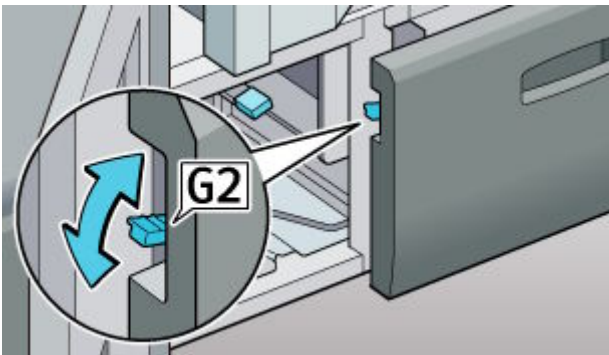
1. Open the right mainframe front cover.



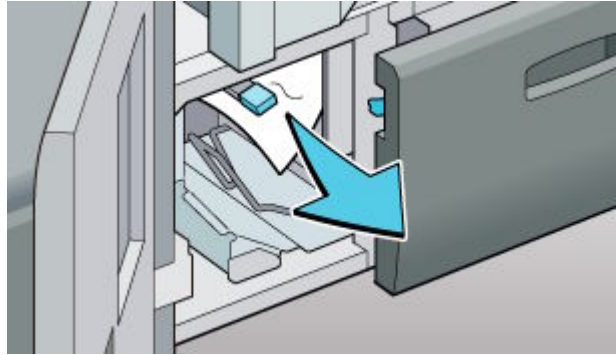
2. Raise the lever G1.



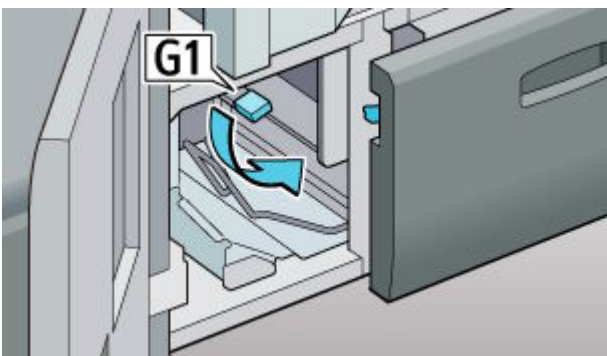
3. Move the lever G2 to up and down.



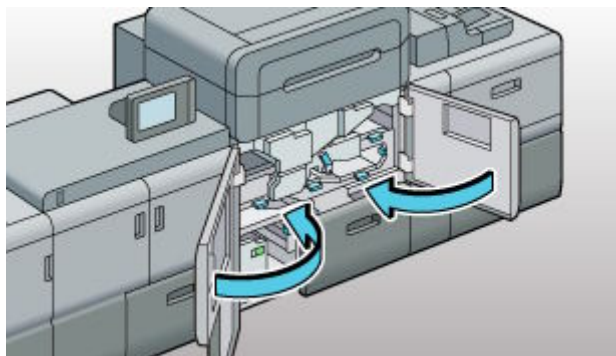
4. Remove the misfed paper.



5. Lower the lever G1 to its original position.



6. Close the right mainframe front cover.



## Misfeed L

### Misfeed: When L is displayed

How do I clear a misfeed when L is displayed?

Follow the procedure below to remove the jammed paper.

1. Open the stacker upper cover.
2. Raise lever L1, and then remove misfed paper.  
Return the lever L1 to its original position.



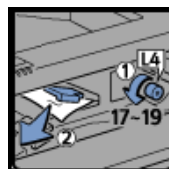
3. If you cannot remove misfeed paper raise lever L2.  
Remove misfed paper, and then return the lever L2 to its original position.



4. Raise lever L3.



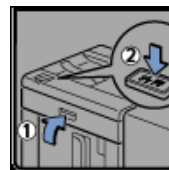
5. Turn knob L4 17 to 19 times counterclockwise to remove misfed paper. Return lever L3 to its original position.



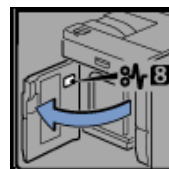
6. Raise lever L5, and then remove misfed paper.  
Return the lever L5 to its original position.



7. Close the stacker upper cover. Press the paper jam button on the stacker control panel.



8. Open the stacker front cover.



9. Remove misfed paper, and then close the stacker front cover.

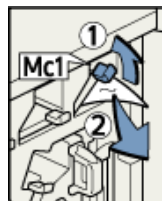


## Misfeed Mc1 - MC4

### Misfeed: When Mc1 - MC4 is displayed

How do I clear a misfeed when Mc1 - Mc4 is displayed?  
Follow the procedure below to remove the jammed paper.

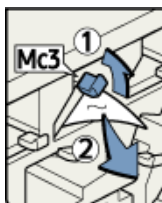
1. Open the front right and front left covers of the ring binder.
2. Raise lever Mc1 and then remove misfed paper.



3. Return lever Mc1 to its original position.
4. Raise lever Mc2 and then remove any jammed paper.



5. Return lever Mc2 to its original position.
6. Raise lever Mc3 and then remove any jammed paper.



7. Return lever Mc3 to its original position.
8. Raise lever Mc4 and then remove any jammed paper.



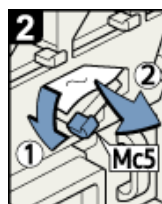
9. Return lever Mc4 to its original position.
10. Close the front right and front left covers of the ring binder.

## Misfeed Mc5 or Mc6

### Misfeed: When Mc5 or Mc6 is displayed

How do I clear a misfeed when Mc5 or Mc6 is displayed?  
Follow the procedure below to remove the jammed paper.

1. Open the front right and front left covers of the ring binder.
2. Pull down lever Mc5 and then remove any jammed paper.
3. Return lever Mc5 to its original position.
4. Raise lever Mc6 and then remove any jammed paper.
5. Return lever Mc6 to its original position.
6. Close the front right and front left covers of the ring binder.



## Misfeed Mc7 or Mc8

### Misfeed: When Mc7 or Mc8 is displayed

How do I clear a misfeed when Mc7 or Mc8 is displayed?  
Follow the procedure below to remove the jammed paper.

1. Open the front right cover of the ring binder.
2. Pull down lever Mc7.
3. Fully remove the unit by pulling on handle Mc8.
4. Remove any jammed paper.
5. Return the unit to its original position, and then return lever Mc7 to its original position.
6. Remove any bound booklets that are inside the device.
8. Close the front right cover of the ring binder.
9. Remove any jammed bound booklets from the paper exit.

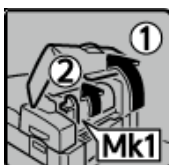


## Misfeeds Mk1 or Mk2

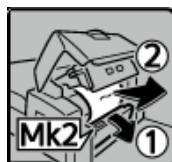
### Misfeed: When Mk1 or Mk2 is displayed

How do I clear a misfeed when Mk1 or Mk2 is displayed?  
Follow the procedure below to remove the jammed paper.

1. Open the interposer and Mk1 covers.



2. Open the Mk2 cover, and then remove misfed paper.



3. Close the Mk2, Mk1, and interposer covers.

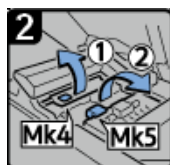
### Misfeed: When Mk3 - Mk5 is displayed

How do I clear a misfeed when Mk3 - Mk5 is displayed?  
Follow the procedure below to remove the jammed paper.

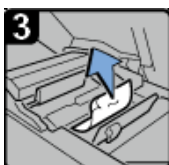
1. Raise the interposer unit, and then open the upper left cover (Mk3).



2. Raise levers and Mk5.



3. Remove misfed paper.



4. Remove misfed paper.



5. Return levers Mk4 and Mk5 to their original positions.
6. Return the upper left cover (Mk3) and interposer unit to their original positions.



## Misfeed Mk6

### Misfeed: When Mk6 is displayed

How do I clear a misfeed when Mk6 is displayed?

Follow the procedure below to remove the jammed paper.

1. Open the front cover of the bridge unit (to the right of the perfect binder).
2. Raise lever Mk6, and then remove misfed paper.
3. Return lever Mk6 to its original position.
4. Close the front cover of the bridge unit.



### Misfeed: When Mk7 or Mk8 is displayed

How do I clear a misfeed when Mk7 or Mk8 is displayed?

Follow the procedure below to remove the jammed paper.

1. Check that the LED on the front right cover of the perfect binder is unlit.
2. Open the front right and front left covers of the perfect binder.
3. Raise lever Mk7, and then remove misfed paper.



4. Return lever Mk7 to its original position.
5. Raise lever Mk8, and then remove misfed paper.



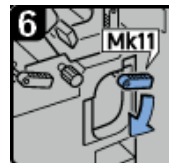
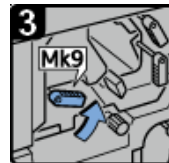
6. Return lever Mk8 to its original position.
7. Close the front left and front right covers of the perfect binder.

## Misfeed Mk9 - Mk11

### Misfeed: When Mk9 - Mk11 is displayed

How do I clear a misfeed when Mk9 - Mk11 is displayed?  
Follow the procedure below to remove the jammed paper.

1. Check that the LED on the front right cover of the perfect binder is unlit.
2. Open the front right and front left covers of the perfect binder.
3. Raise lever Mk9.
4. Turn knob Mk10, and then remove misfed paper.
5. Return lever Mk9 to its original position.
6. Lower lever Mk11.
7. Remove misfed paper.
8. Return lever Mk11 to its original position.
9. Close the front left and front right covers of the perfect binder.



## Misfeed Mk12 - Mk14

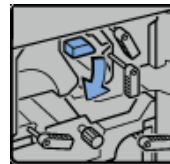
### Misfeed: When Mk12 - Mk14 is displayed

How do I clear a misfeed when Mk12 - Mk14 is displayed?  
Follow the procedure below to remove the jammed paper.

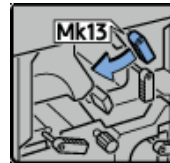
1. Check that the LED on the front right cover of the perfect binder is unlit.
2. Open the front right and front left covers of the perfect binder.
3. Raise lever Mk12, and then remove misfed paper.



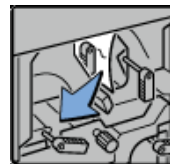
4. Return lever Mk12 to its original position.



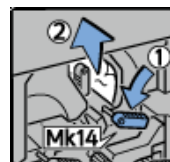
5. Turn lever Mk13 to the left.



6. Remove misfed paper.



7. Lower lever Mk14, and then remove misfed paper..



8. Return levers Mk14 and Mk13 to their original positions.

9. Close the front left and front right covers of the perfect binder.

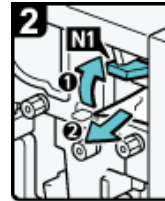
## Misfeed N1 - N5

### Misfeed: When N1 - N5 is displayed

How do I clear a misfeed when N1 - N5 is displayed? Follow the procedure below to remove the jammed paper.

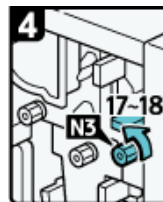
1. Open the multi-folding unit front cover.

2. Raise lever N1 (which brings up lever N2, as well), and then remove misfed paper. Raise lever Mk12, and then remove misfed paper.

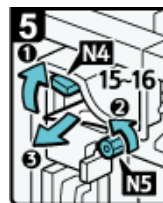


3. Return levers N1 and N2 to their original positions.

4. Turn knob N3 17 to 18 times counterclockwise.



5. Raise lever N4, turn knob N5 15 to 16 times counterclockwise, and then remove misfed paper.



6. Return lever N4 to its original position.

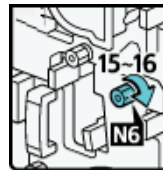
7. Close the multi-folding unit front cover.

## Misfeed N6 - N22

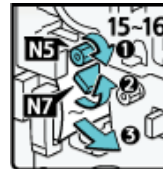
### Misfeed: When N6 - N22 is displayed

How do I clear a misfeed when N6 - N22 is displayed?  
Follow the procedure below to remove the jammed paper.

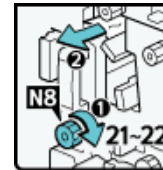
1. Turn knob N6 15 to 16 times clockwise.



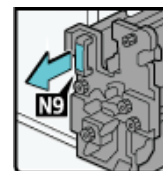
2. Turn knob N5 15 to 16 times clockwise, pull lever N7 to the right, and then remove misfed paper.



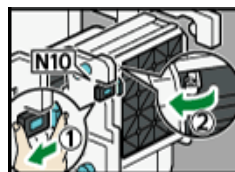
3. Turn knob N8 21 to 22 times clockwise, and then remove misfed paper.



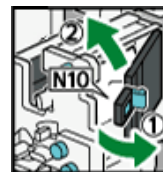
4. Return lever N7 to its original position.



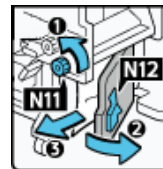
5. Pull handle N9 and pull the unit fully out.



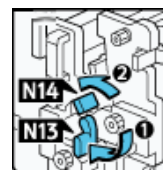
6. Pull the lever N10 towards you and hold it to release the lock (check the lock is released).



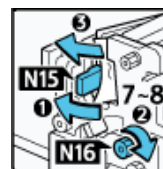
7. Pull the lever to the right to open the cover N10, and then remove misfed paper from inside.



8. Close the cover N10.



9. Turn knob N11 counterclockwise, open cover N12, and then remove misfed paper.



10. Close cover N12.

11. Hold down lever N13, and then turn lever N14 to the left.



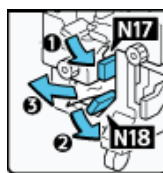
12. Open the cover N15, turn knob N16 seven to eight times clockwise, and then remove misfed paper.

## Misfeed N6 - N22

13. Close the cover N15.

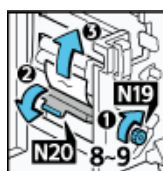
14. Return levers N13 and N14 to their original positions.

15. Lower lever N17 to the right, pull lever N18 to the right, and then remove misfed paper.



16. Return levers N17 and N18 to their original positions.

17. Turn knob N19 eight to nine times clockwise, open cover N20, and then remove misfed paper.

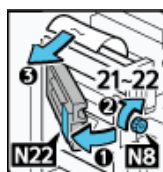


18. Raise lever N21, and then remove misfed paper.



19. Return lever N21 to its original position.

20. Open cover N22, turn knob N8 21 to 22 times clockwise, and then remove misfed paper.



21. Close cover N22.

22. Return the unit to its original position.

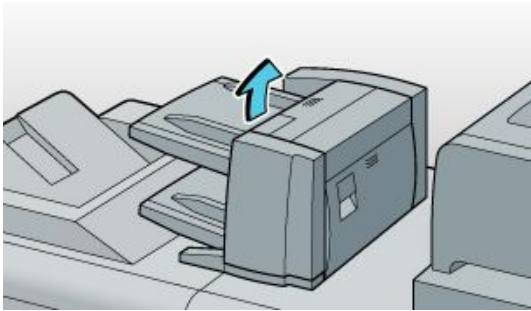
23. Close the multi-folding unit front cover.

## Misfeed Q1 - Q2

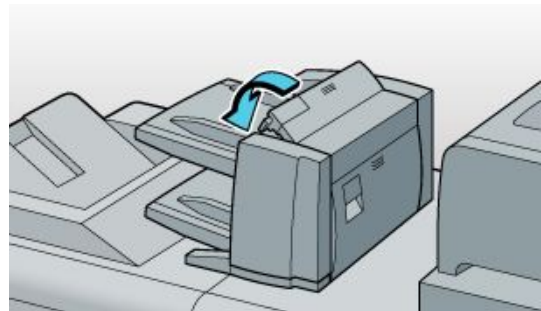
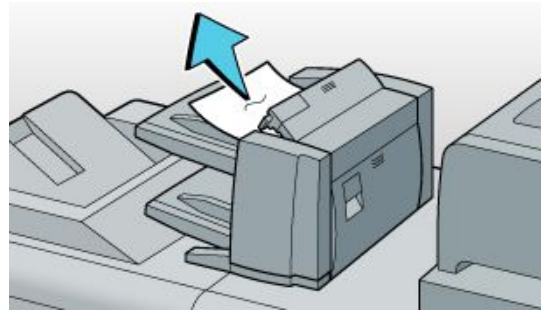
### Misfeed: When Q1 - Q2 is displayed

How do I clear a misfeed when Q1 - Q2 is displayed?  
Follow the procedure below to remove the jammed paper.

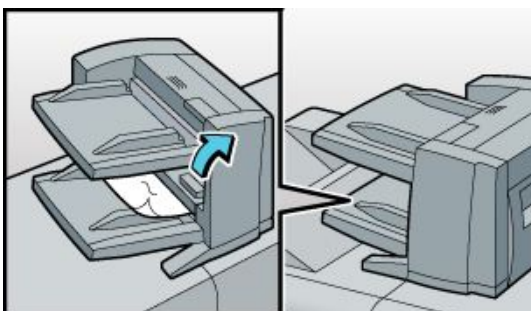
1. Open the interposer upper tray cover



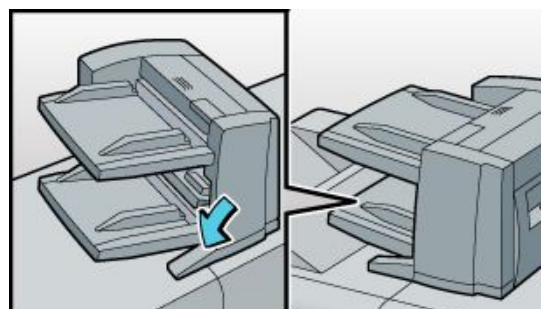
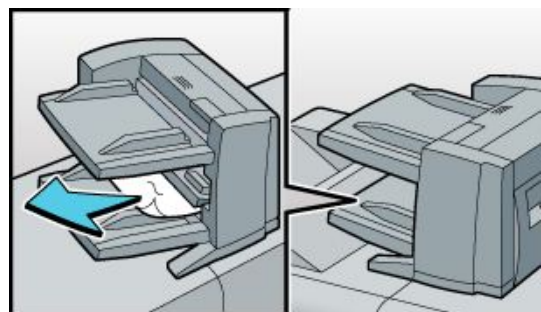
2. Remove the misfed paper, and then close the interposer upper tray cover.



3. If you cannot remove the misfed paper, open the interposer lower tray cover.

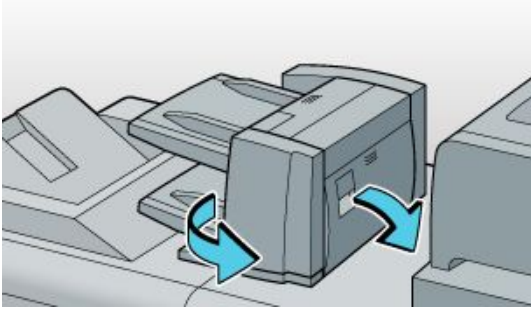


4. Remove the misfed paper, and then close the interposer lower tray cover.

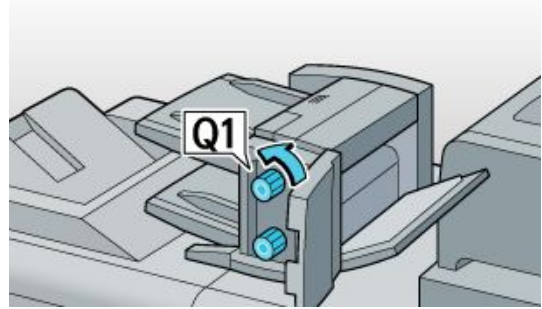


## Misfeed Q1 - Q2

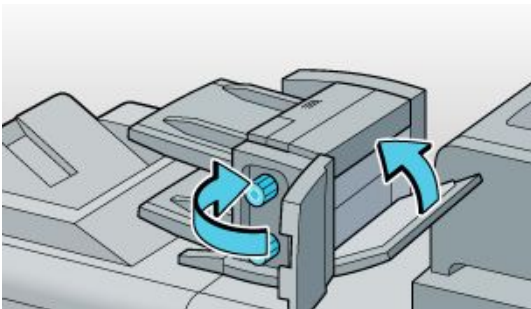
5. Open the interposer main cover and right cover.



6. Turn knob Q1 to counterclockwise, and then remove the misfed paper.



7. Close the interposer main cover and right cover.



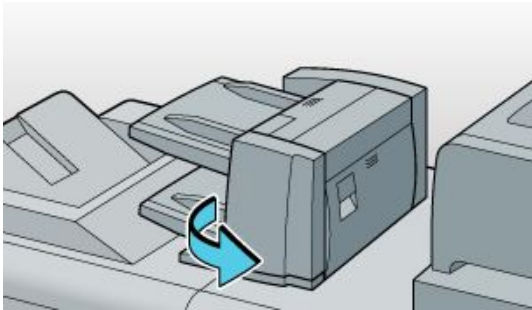


## Misfeed Q3 - Q4

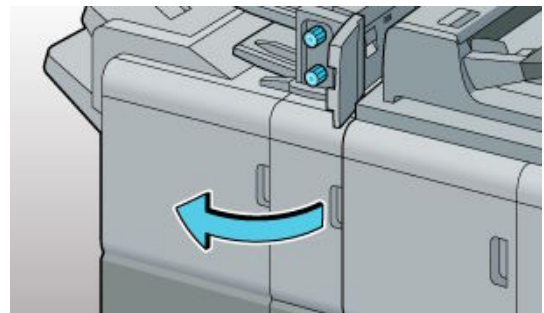
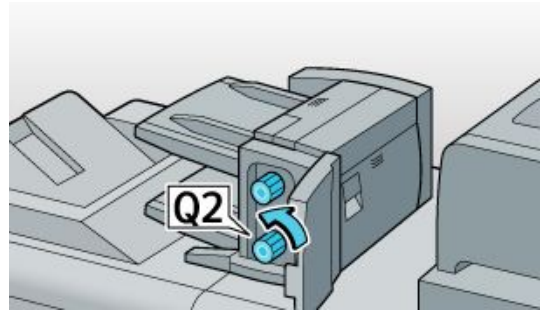
### Misfeed: When Q3 - Q4 is displayed

How do I clear a misfeed when Q3 - Q4 is displayed?  
Follow the procedure below to remove the jammed paper.

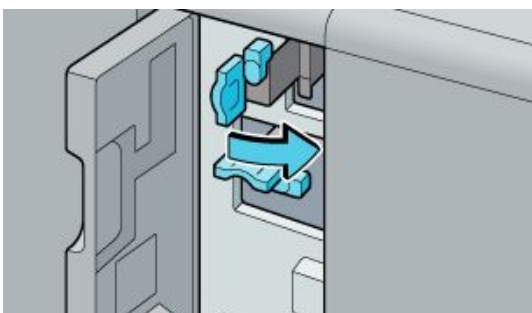
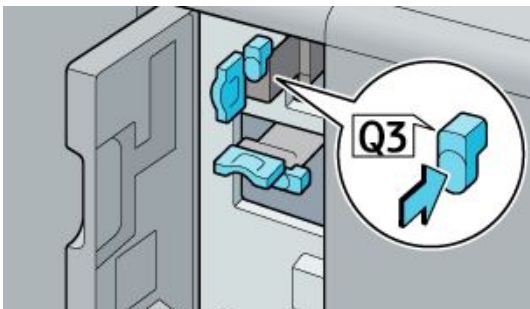
1. Open the interposer main cover.



2. Turn knob Q2 counterclockwise, and then open the interposer front cover.



3. Press Q3, and then slide the guide panel to the right.

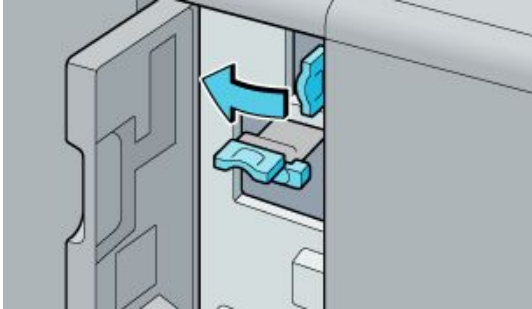


4. Remove the misfed paper.

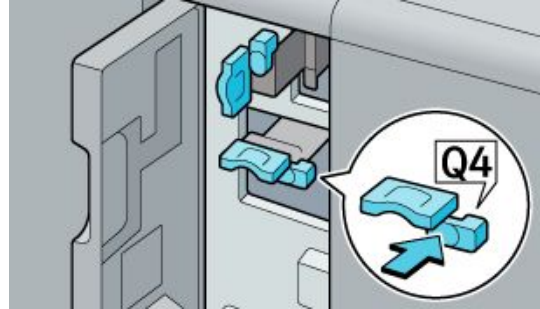


## Misfeed Q3 - Q4

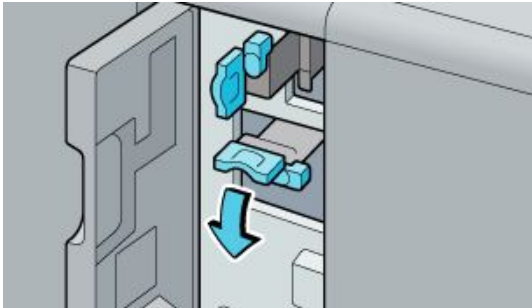
5. Slide the guide panel to its original position.



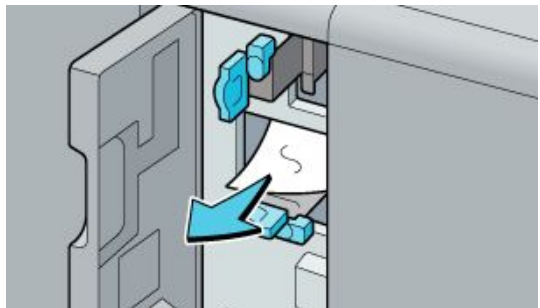
6. If you cannot remove the misfed paper, press Q4.



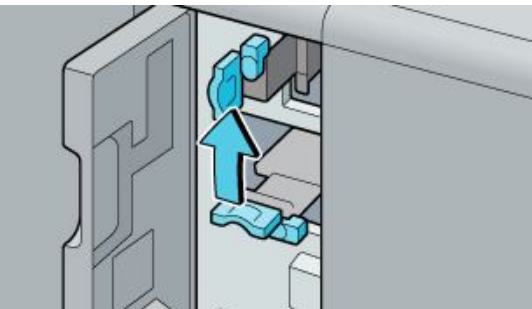
7. Lower the guide panel.



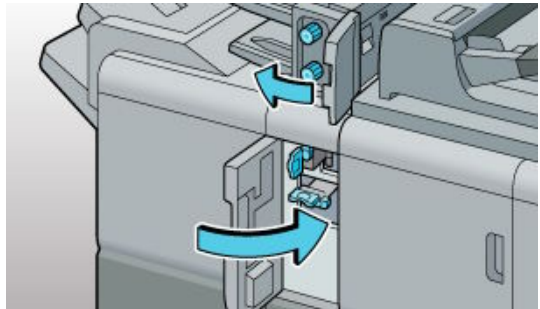
8. Remove the misfed paper.



9. Raise the guide panel to its original position.



10. Close the interposer main cover and front cover.

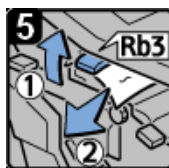


## Misfeed Rb1 – Rb5

### Misfeed: When Rb1 – Rb5 is displayed

How do I clear a misfeed when Rb1 – Rb5 is displayed?  
Follow the procedure below to remove the jammed paper.

1. Open the finisher front cover.
2. Raise lever Rb1, and then remove misfed paper.. Turn knob N8 21 to 22 times clockwise, and then remove misfed paper.
3. . Turn knob Rb2, and then remove misfed paper.
4. Return lever Rb1 to its original position.
5. Raise lever Rb3, and then remove misfed paper.
6. Return lever Rb3 to its original position. Turn lever Rb4 to the right, and then remove misfed paper.
7. Turn lever Rb4 to the right, and then remove misfed paper.
8. Return lever Rb4 to its original position.
9. Raise lever Rb5 to the right, and then remove misfed paper.
10. Return lever Rb5 to its original position.
11. Close the finisher front cover.

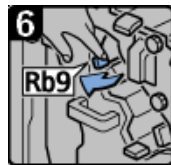
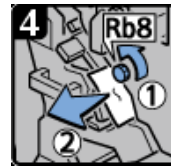


## Misfeed Rb6 – Rb9

### Misfeed: When Rb6 – Rb9 is displayed

How do I clear a misfeed when Rb6 – Rb9 is displayed?  
Follow the procedure below to remove the jammed paper.

1. Open the finisher front cover.
2. Lower lever Rb6.
3. Pull lever Rb7 to the left.
4. Turn knob Rb8, and then remove misfed paper.
5. Return levers Rb6 and Rb7 to their original positions.
6. Pull lever Rb9 to the left.
7. Remove misfed paper.
8. Close the finisher front cover.

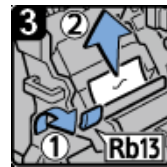


## Misfeed Rb12 – Rb13

### Misfeed: When Rb12 – Rb13 is displayed

How do I clear a misfeed when Rb12 – Rb13 is displayed?  
Follow the procedure below to remove the jammed paper.

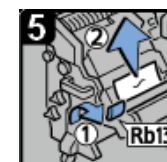
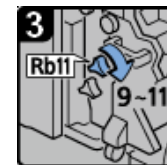
1. Open the finisher front cover.
2. Pull handle Rb12, and then pull out the staple unit.
3. Raise lever Rb13, and then remove misfed paper.
4. Return lever Rb13 to its original position.
5. Return the staple unit to its original position, and then close the finisher front cover.



### Misfeed: When Rb10 – Rb17 is displayed

How do I clear a misfeed when Rb10 – Rb17 is displayed?  
Follow the procedure below to remove the jammed paper.

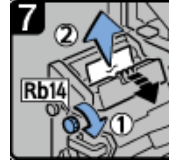
1. Open the finisher front cover.
2. Turn knob Rb10.
3. Turn knob Rb11 9 to 11 times.
4. Pull handle Rb12, and then pull out the staple unit.
5. Raise lever Rb13, and then remove misfed paper.



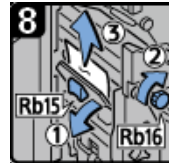
## Misfeed Rb12 – Rb13

6. Return lever Rb13 to its original position

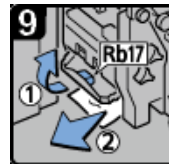
7. Turn knob Rb14, and then remove misfed paper.



8. Lower lever Rb15, and then turn knob Rb16. Then remove misfed paper.



9. Raise lever Rb17, and then remove misfed paper.



10. Return lever Rb17 to its original position.

11. Return the staple unit to its original position, and then close the finisher front cover.

## Misfeed: When Rt1 or Rt2 is displayed

How do I clear a misfeed when Rt1 or Rt2 is displayed?  
Follow the procedure below to remove the jammed paper.

1. Open the trimmer front cover.

2. Turn Rt1 lever to the right and remove misfed paper.



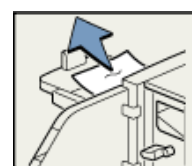
3. Return lever Rt1 to its original position.

4. Hold down lever Rt2 and remove misfed paper.



5. Remove misfed paper from the trimmer tray.

6. Return lever Rt2 to its original position.



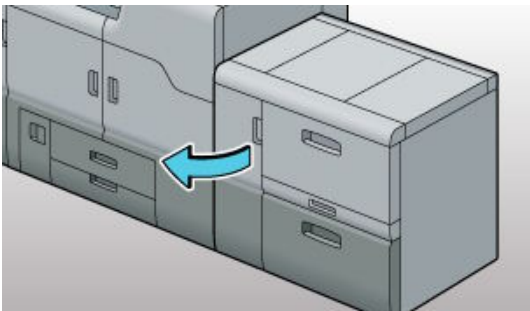
7. Close the trimmer front cover.

## Misfeed U

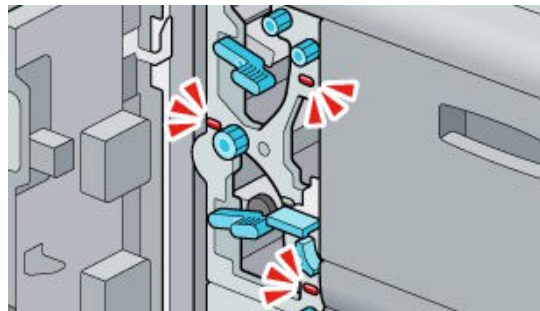
### Misfeed: When U is displayed

How do I clear a misfeed when U is displayed? Follow the procedure below to remove the jammed paper.

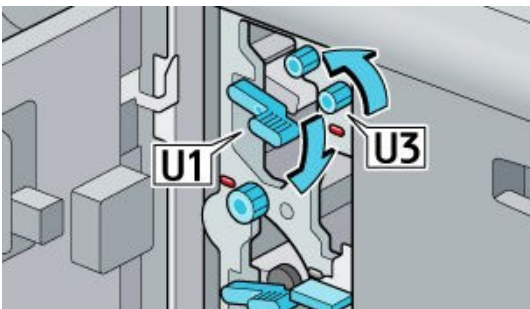
1. Open the two-tray wide LCT front cover.



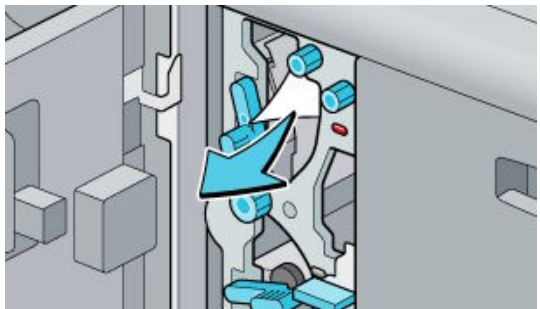
2. Check the LED lights are flashing.



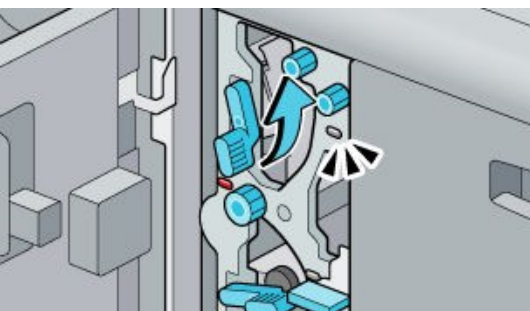
3. Lower lever U1, and then turn knob U3 counterclockwise.



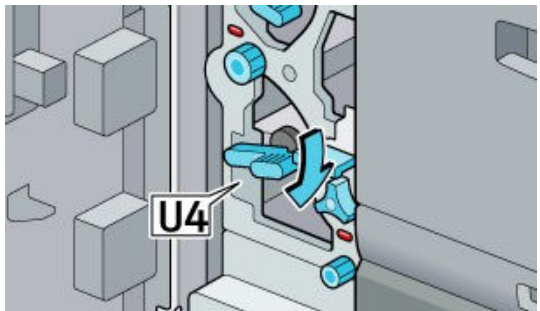
4. Remove the misfed paper.



5. Check the LED light is off, and then raise lever U1 to its original position.

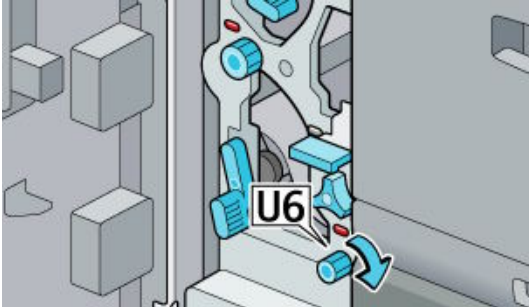


6. Lower lever U4.

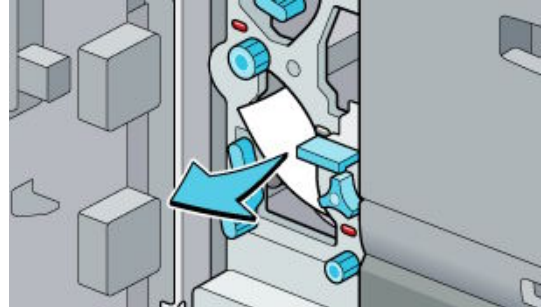


## Misfeed U

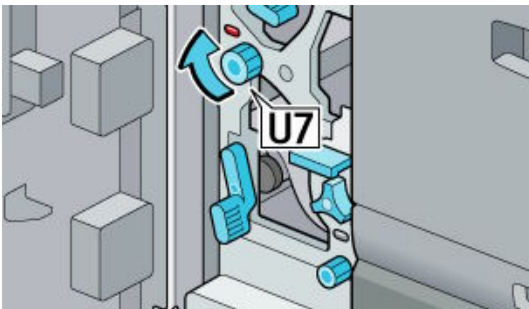
7. Turn knob U6 clockwise.



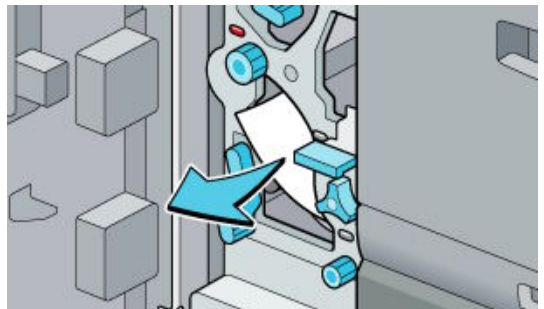
8. Remove the misfed paper, and then check the LED light is off.



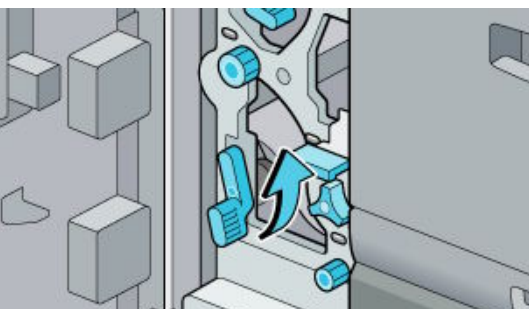
9. Turn knob U7 clockwise until the paper stops moving.



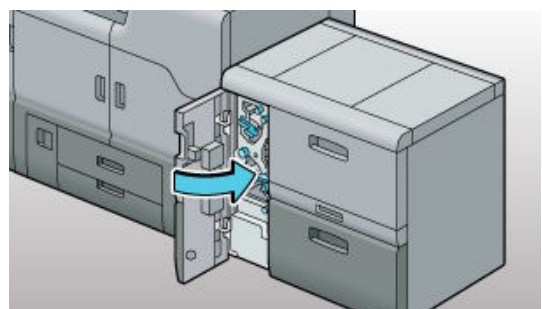
10. Remove the misfed paper, and then check the LED light is off.



11. Raise lever U4 to its original position.



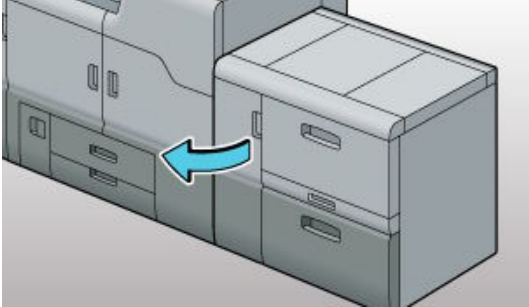
12. Close the two-tray wide LCT front cover.



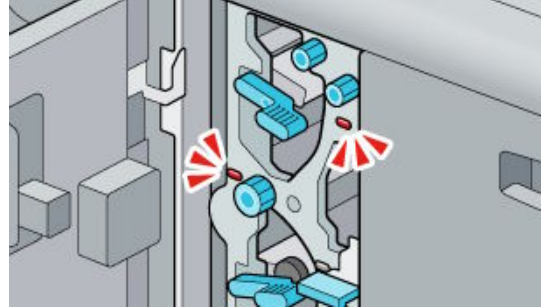


## Misfeed U2

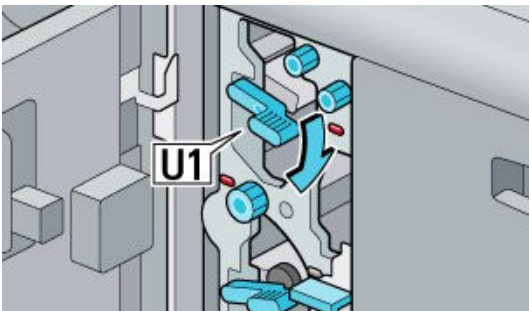
1. Open the two-tray wide LCT front cover.



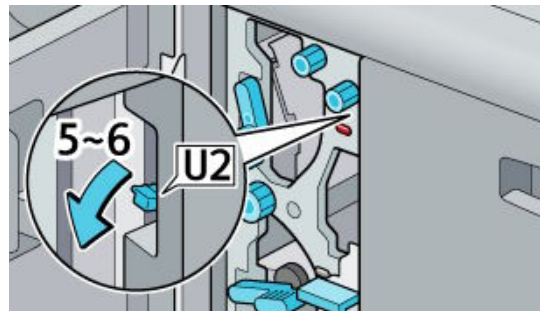
2. Check the LED lights are flashing.



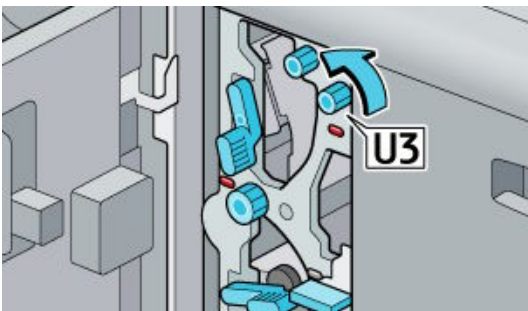
3. Lower lever U1.



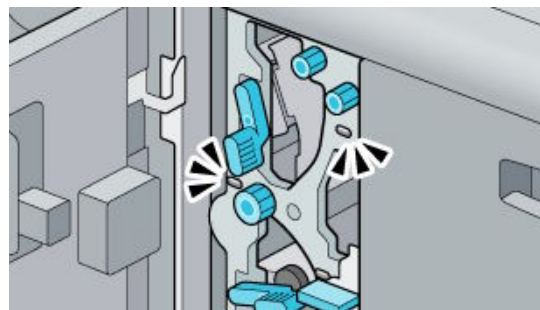
4. Move lever U2 up and down for 5 to 6 times.



5. Turn knob U3 counterclockwise.

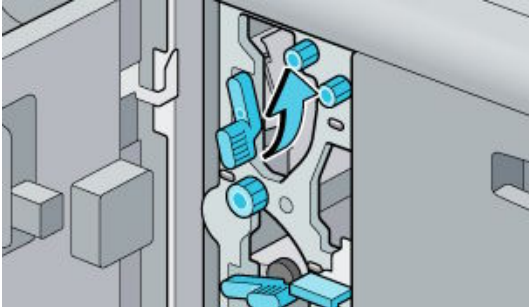


6. Remove the misfed paper, and then check the LED light is off.

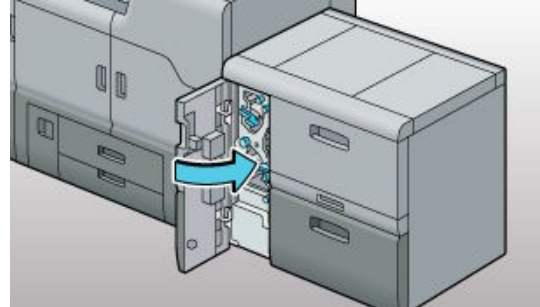


## Misfeed U2 - U5

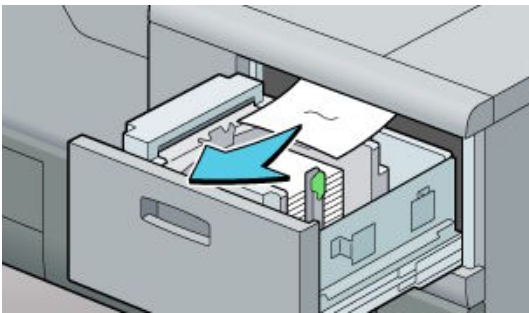
7. Raise lever U1 to its original position.



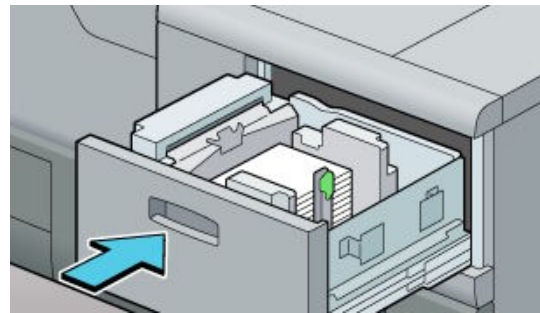
8. Close the two-tray wide LCT front cover.



9. Pull the two-tray wide LCT paper tray, and then remove the misfed paper.



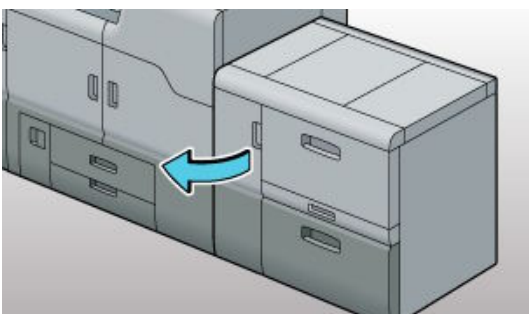
10. Slide the two-tray wide LCT tray to its original position.



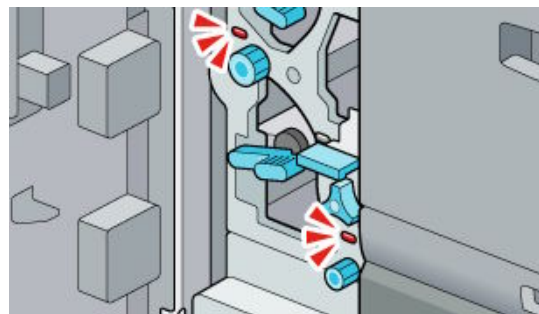
### Misfeed: When U5 is displayed

How do I clear a misfeed when U5 is displayed? Follow the procedure below to remove the jammed paper.

1. Open the two-tray wide LCT front cover.



2. Check the LED lights are flashing.

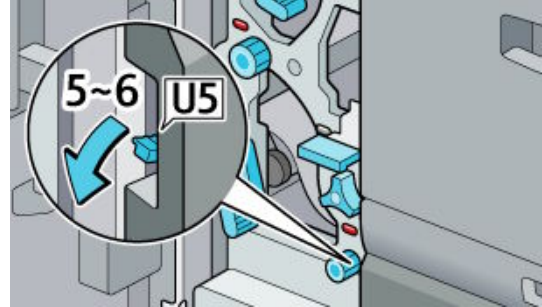


## Misfeed U5

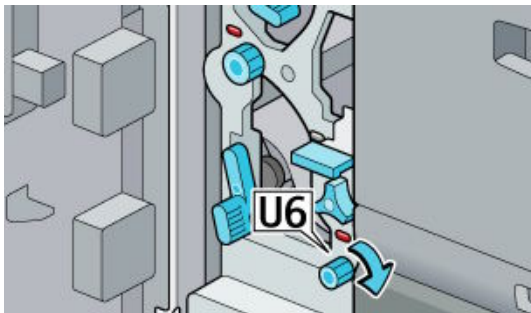
3. Lower lever U4.



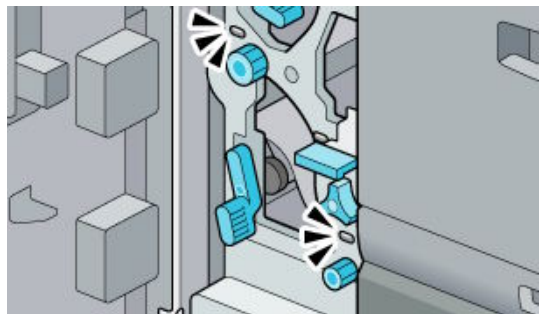
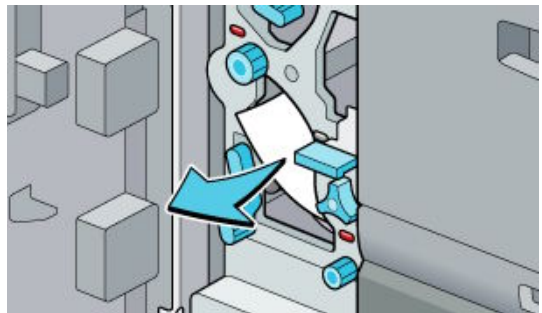
4. Move lever U5 up and down for 5 to 6 times.



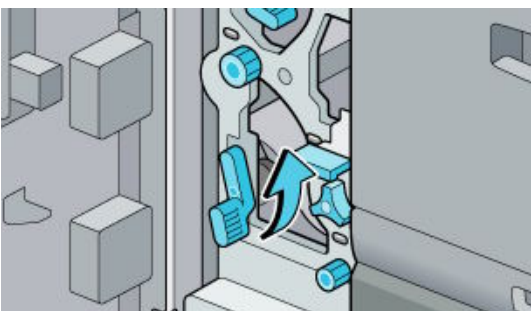
5. Turn knob U6 clockwise.



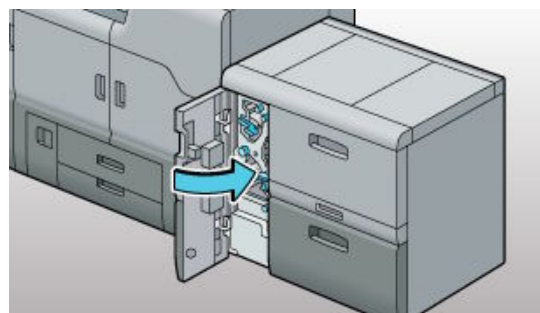
6. Remove the misfed paper, and then check the LED light is off.



7. Raise lever U4 to its original position.

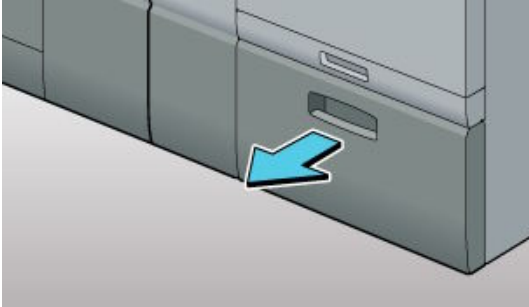


8. Close the two-tray wide LCT front cover.

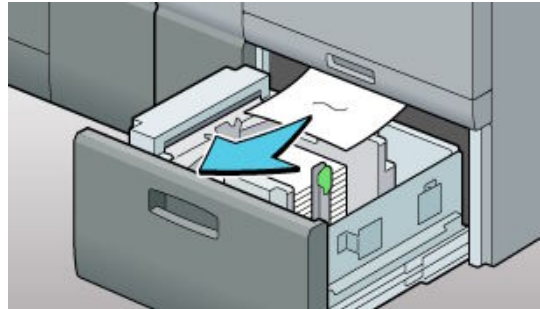


## Misfeed U5

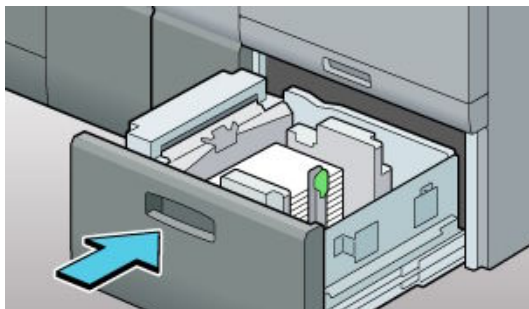
9. If you cannot remove the misfed paper, pull out the two-tray wide LCT lower paper tray.



10. Remove the misfed paper.



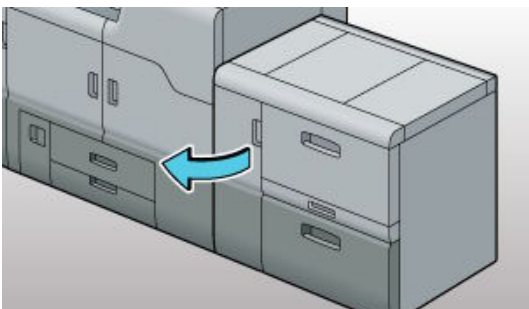
11. Slide the two-tray wide LCT lower paper tray in to the device.



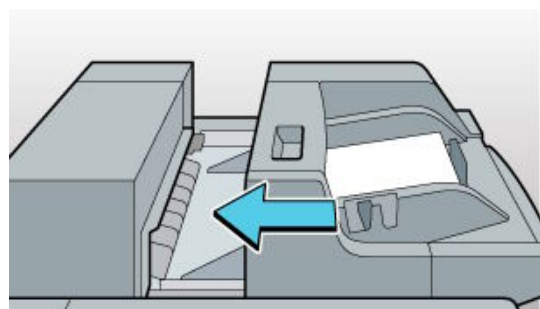
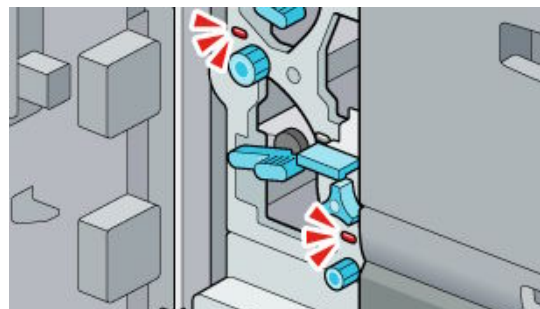
## Misfeed: When U8 is displayed

How do I clear a misfeed when U8 is displayed? Follow the procedure below to remove the jammed paper.

1. Slide the multi bypass tray to the right.

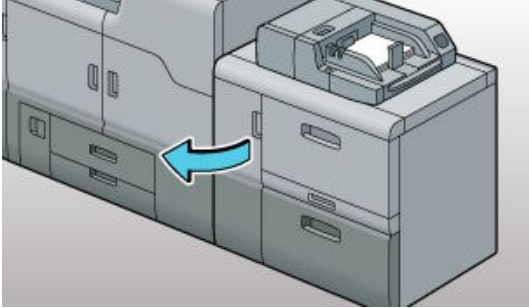


2. Remove the misfed paper, and then slide the multi bypass tray unit to its original position.

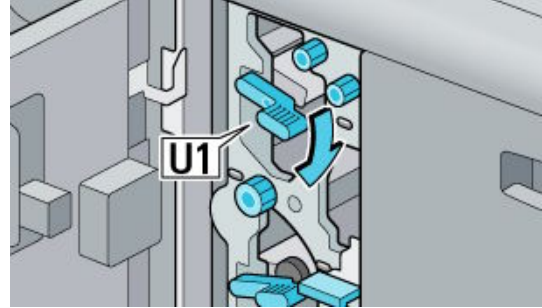


## Misfeed U8

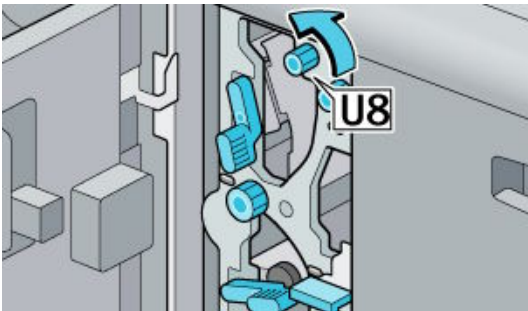
3. Open the two-tray wide LCT front cover.



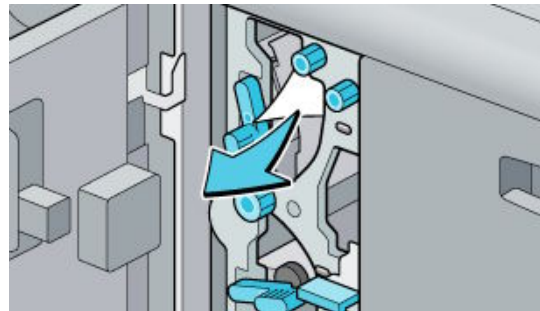
4. Lower lever U1.



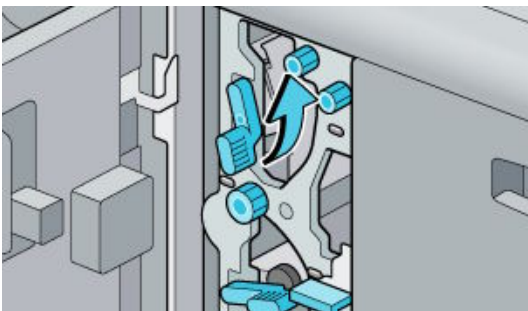
5. Turn knob U8 counterclockwise.



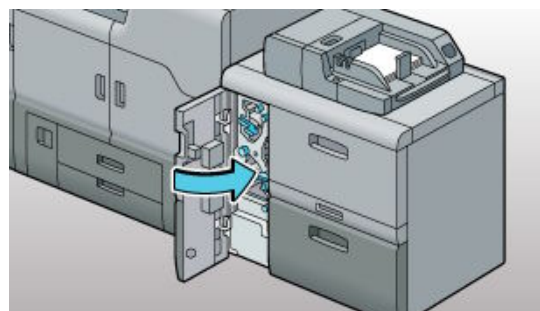
6. Remove the misfed paper.



7. Raise lever U1 to its original position.

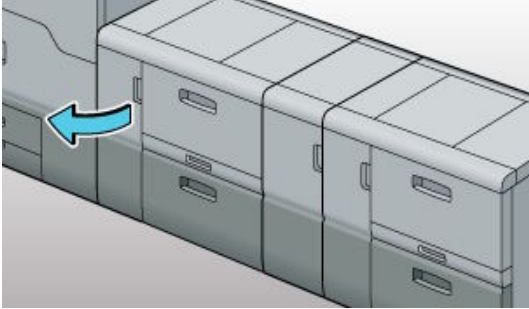


8. Close the two-tray wide LCT front cover.



## Misfeed U10

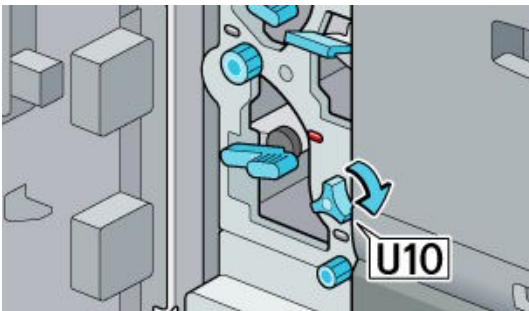
1. Open the two-tray wide LCT front cover.



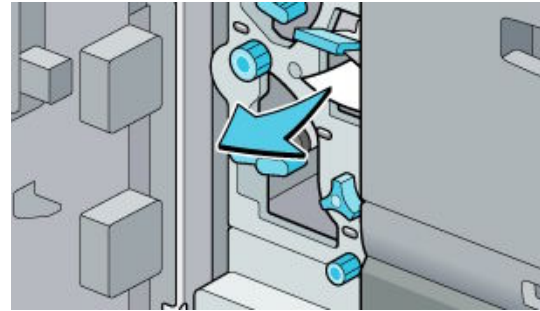
2. Raise lever U9.



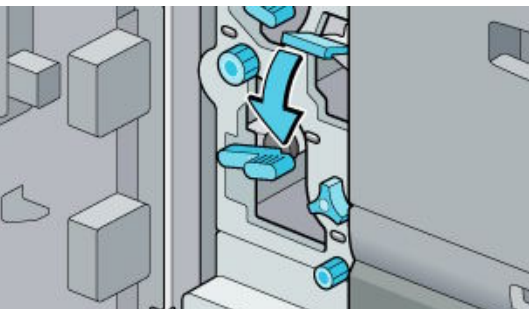
3. Turn knob U10 clockwise until LED light is off.



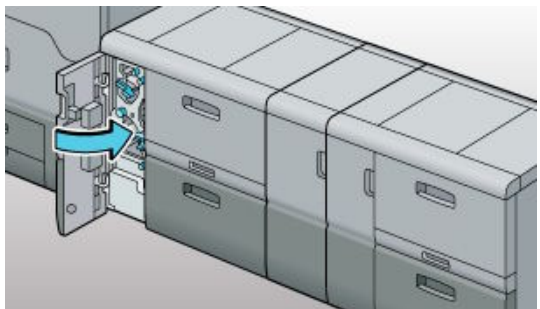
4. Remove the misfed paper.



5. Lower lever U9 to its original position.



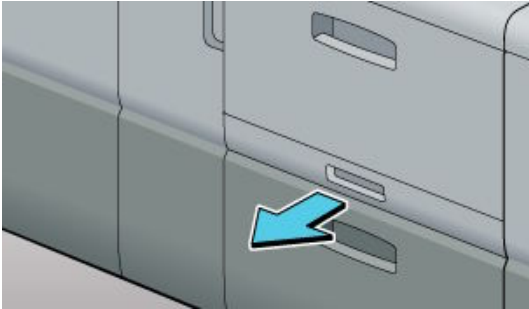
6. Close the two-tray wide LCT front cover.



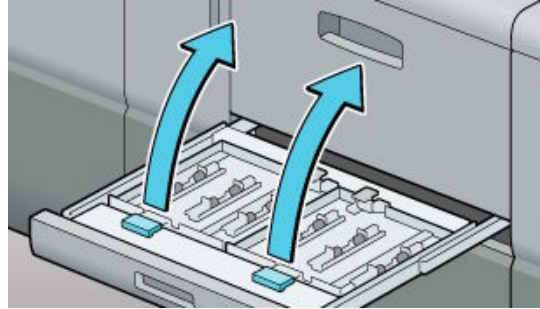
# CIP Training C9200 Series

## Misfeed U10

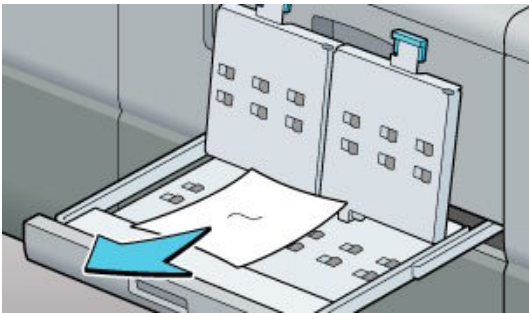
7. If you cannot remove the misfed paper, pull out the two-tray wide LCT tray.



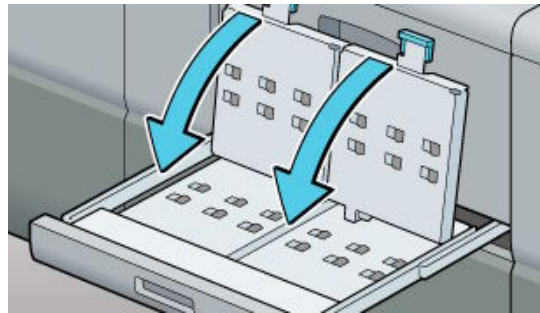
8. Open the cover.



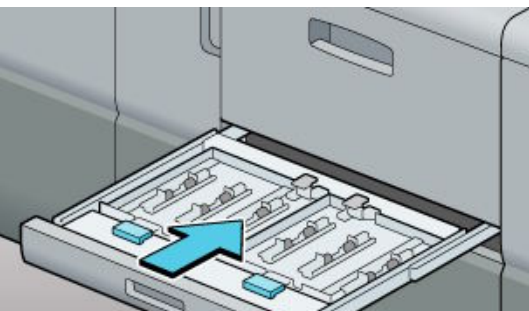
9. Remove the misfed paper.



10. Close the cover.

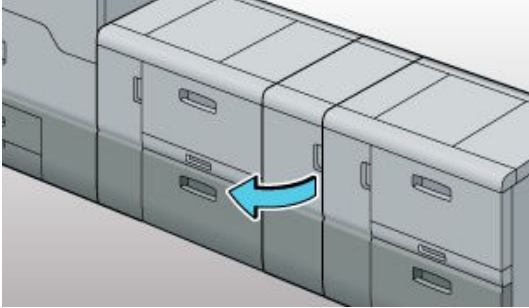


11. Slide the two-tray wide LCT tray in to the device.

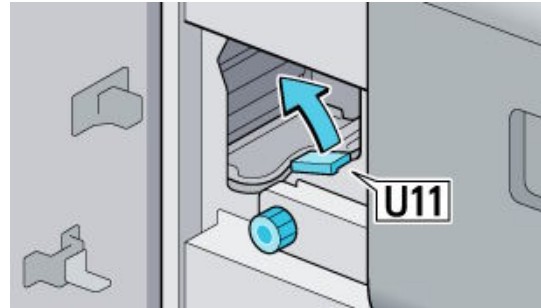


## Misfeed U11

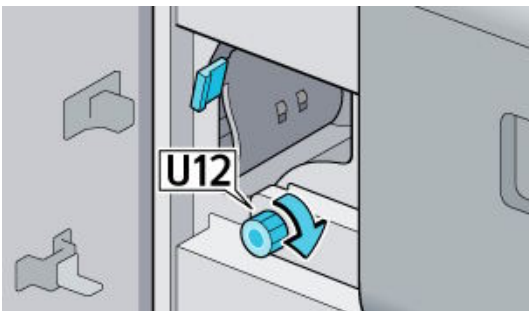
1. Open the bridge unit of two-tray wide LCT front cover.



2. Raise lever U11.



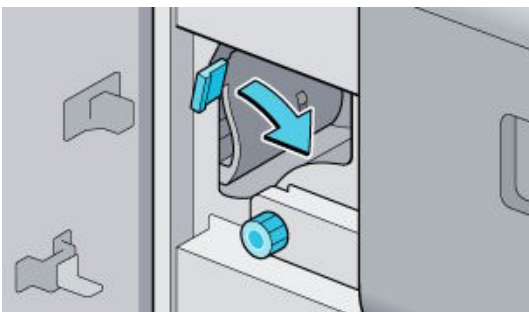
3. Turn knob U12 clockwise.



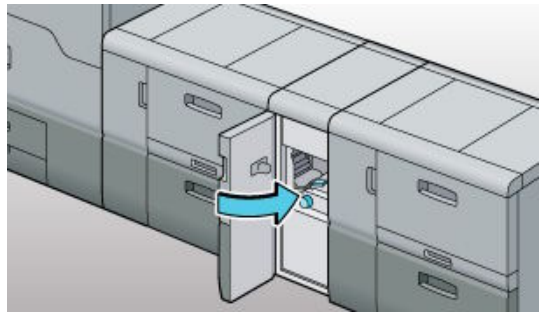
4. Remove the misfed paper.



5. Lower lever U11 to its original position.



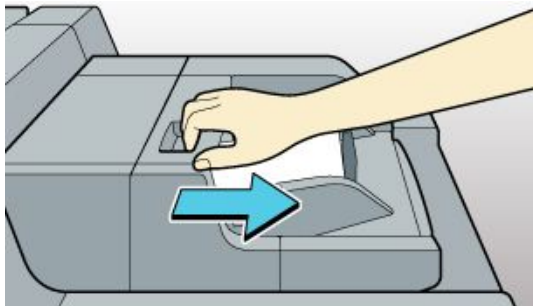
6. Close the bridge unit of two-tray wide LCT front cover.



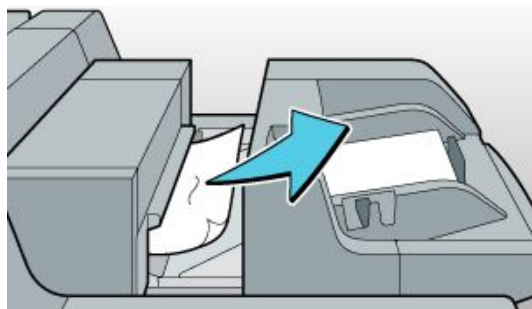


## Misfeed V

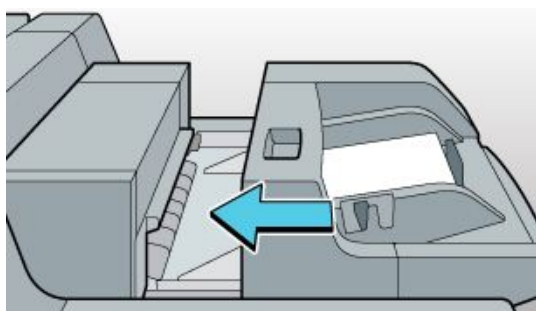
1. Slide the multi bypass tray unit to the right.



2. Remove the misfed paper.



3. Slide the multi bypass tray unit to its original position.







**RICOH**  
imagine. change.